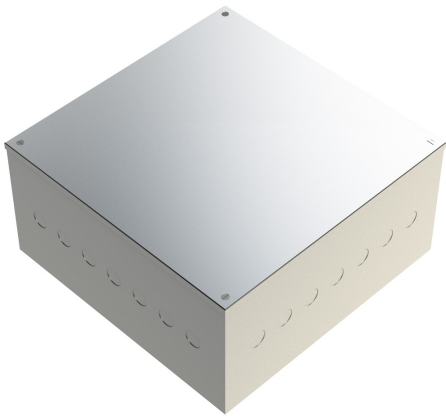


**PRODUCT CODE: AB25G-K**  
ADAPTABLE BOX - KNOCKOUT



**DESCRIPTION**

300 x 300 x 150mm (12 x 12 x 6") Adaptable Box with Knock-outs

**FINISH**

Pre Galvanised

**MATERIAL**

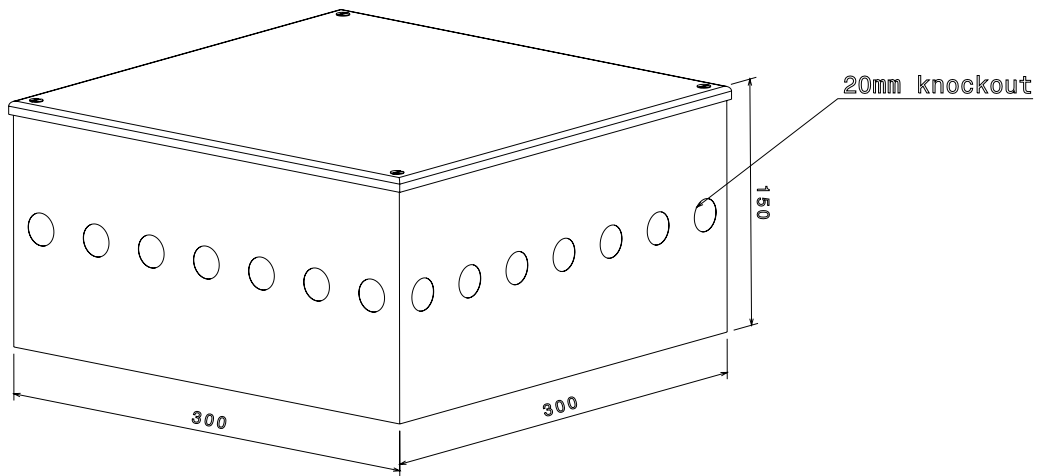
Galvanised Sheet Steel

**PACKAGING**

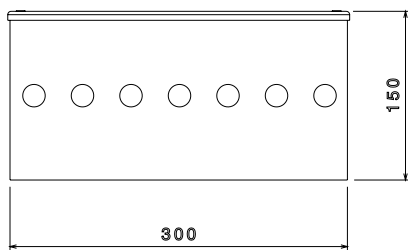
Supplied individually

**ADDITIONAL NOTES**

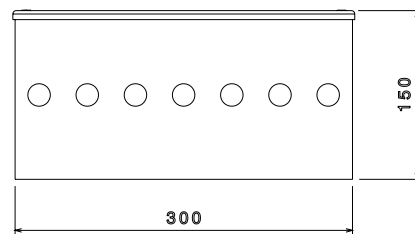
Comprises body, flanged cover and M5 x 10mm lid fixing screws  
Knock outs - 7 x 20mm on each face  
Compliant to LU Standard 1-085 (for use on surface & sub-surface locations)



Isometric view



Front view



Side view